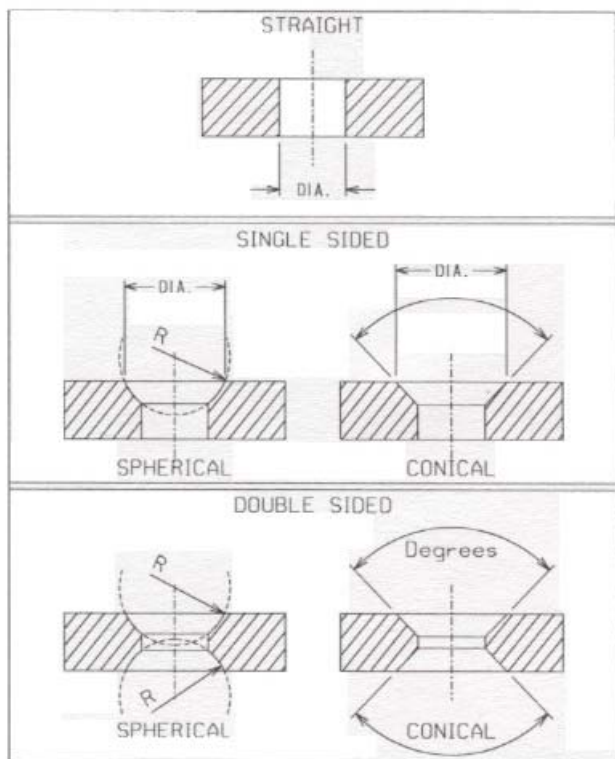


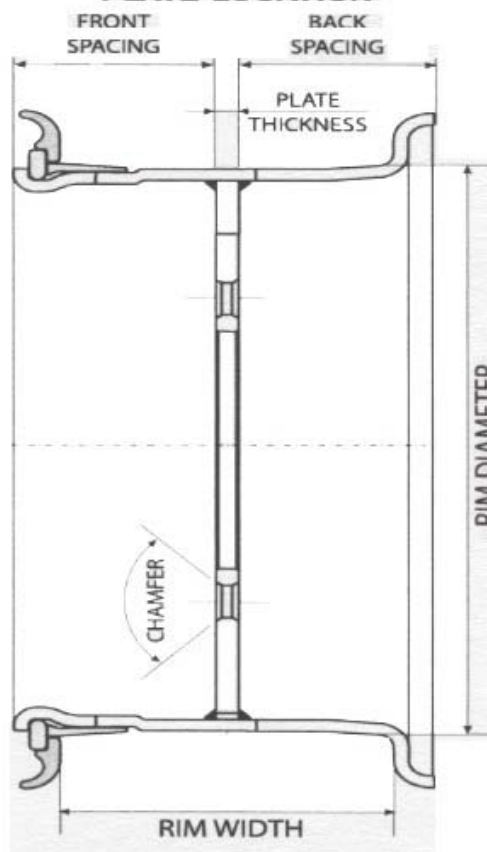
# Wheel Measurement Data Sheet

**Customer:** \_\_\_\_\_ **Phone:** \_\_\_\_\_ **Fax:** \_\_\_\_\_  
**Make/Model:** \_\_\_\_\_ **Tire Size:** \_\_\_\_\_ **Drive or Steer**  
 Wheel Size: \_\_\_\_\_ Plate Thickness: \_\_\_\_\_  
 Number of Holes: \_\_\_\_\_ Plate Location: \_\_\_\_\_  
 Bolt Circle Diameter: \_\_\_\_\_ Pitch: \_\_\_\_\_  
 Pilot Hole Diameter: \_\_\_\_\_ Wheel Type: \_\_\_\_\_  
 Bolt Hole Size: \_\_\_\_\_ Markings: \_\_\_\_\_  
 Chamfer: \_\_\_\_\_

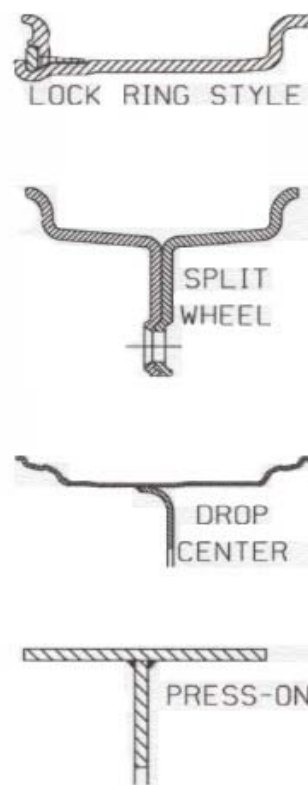
## BOLT HOLE MEASUREMENT



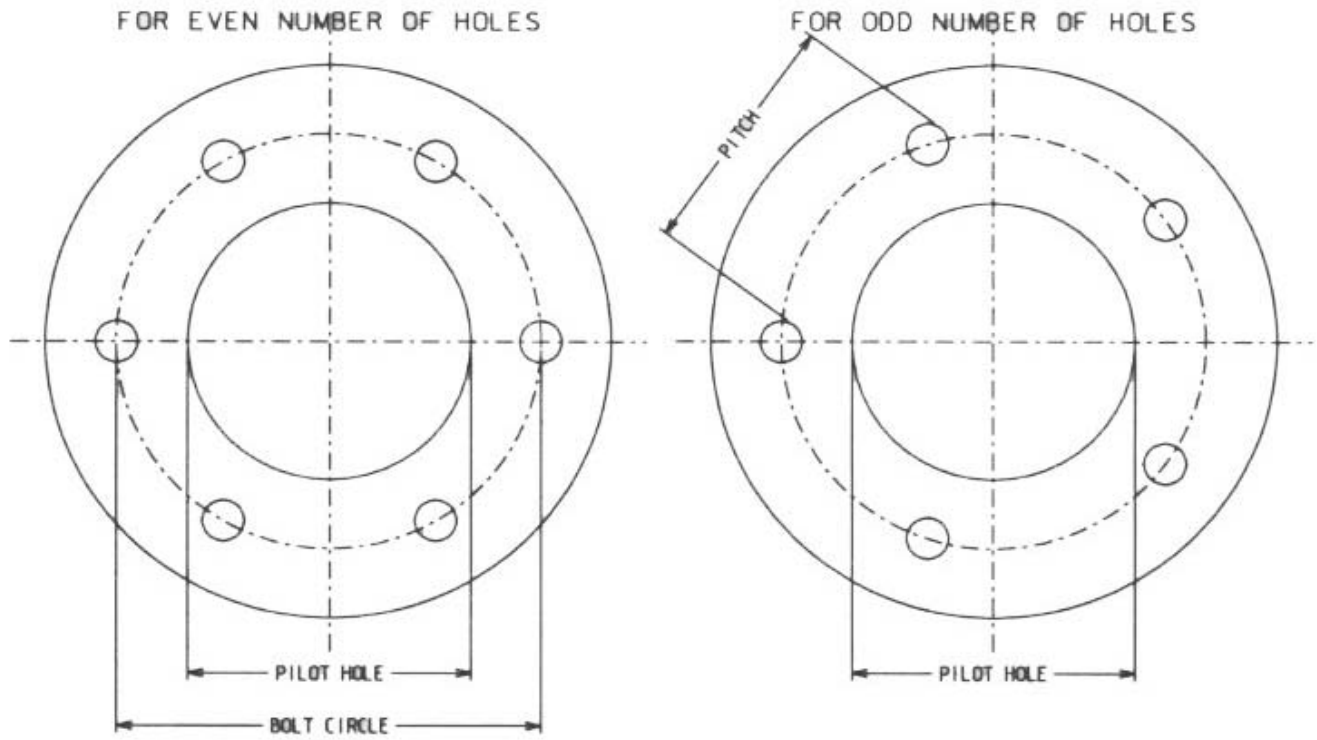
## PLATE LOCATION



## WHEEL STYLES



## HOLE PATTERN



**Please Call Us for Details On Your Specific Make, Model and Application.**